

# GRU A TORRE

# GA 301

GRU AUTOMATICA CON  
MONTAGGIO IDRAULICO

*GA compact*



*GX*



*GHS topless*



0 - 4000 kg



# TII

# FBGRU

LIFT YOUR GOALS!

*FB F.lli Butti s.r.l.*

*Via XXV Aprile, 58*

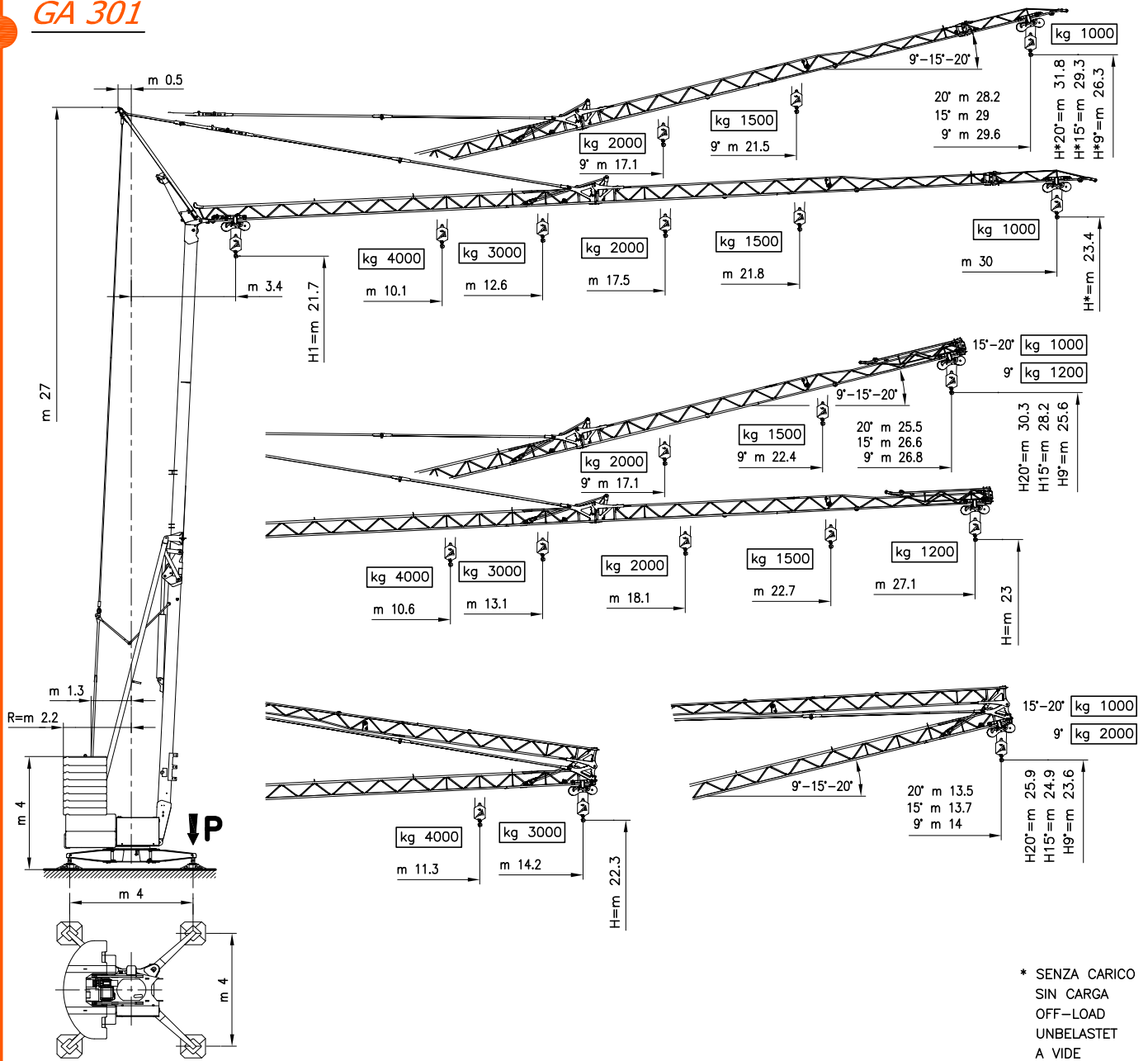
*23868 Valmadrera (LC) - Italia*

*Tel. 0341.581108 - Fax 0341.200253*

*E-mail : fbgru@fbgru.it - <http://www.fbgru.it>*

# CE

FEM 1.001 - A3  
EN 14439 - C25



\* SENZA CARICO  
SIN CARGA  
OFF-LOAD  
UNBELASTET  
A VIDE

P	
kg 22150	kg 14450
<i>In servizio</i>	<i>Fuori servizio</i>
En servicio	Fuera de servicio
In service	Out of service
In betrieb	Außer betrieb
En service	Hors service

	N° 8x1800 N° 2x1700 N° 2x1920 <b>kg 33770</b>
	<b>kg 12130</b>

**LA GRU** LA GRÚA — CRANE  
KРАН — GRUE



<b>MOVIMENTO</b> MOVIMIENTO MOVEMENT BEWEGUNG MOUVEMENT	<b>ALIMENTAZIONE</b> ALIMENTACION OPERATING VOLTAGE BETRIEBSSPANNUNG TENSION DE SERVICE	<b>PRESTAZIONI</b> FUNCIONAMIENTOS PERFORMANCES LEISTUNGEN EXÉCUTIONS	
---	---	---	--

<b>SOLLEVAMENTO</b> ELEVACION — HOISTING HEBEN — LEVAGE  <b>INVERTER</b>	400 V 50 Hz		1 <sup>a</sup> m/1' - kg	2 <sup>a</sup> m/1' - kg	3 <sup>a</sup> m/1' - kg	4 <sup>a</sup> m/1' - kg	kW 15
			4	20	35	50	
			4000	4000	2000	1400	

<b>CARRELLO</b> CARRILLO — JIB TROLLEY LAUFKATZE — DISTRIBUTION  <b>INVERTER</b>	400 V 50 Hz		1 <sup>a</sup> m/1'	2 <sup>a</sup> m/1'	3 <sup>a</sup> m/1'	kW 3
			19	45	61	

<b>ROTAZIONE</b> ROTACION — SLEWING DREHEN — ORIENTATION  <b>INVERTER</b>	400 V 50 Hz		1 <sup>a</sup> g/1'	2 <sup>a</sup> g/1'	3 <sup>a</sup> g/1'	kgm 2.5
			0 → 0.14	0.14 → 0.45	0.45 → 0.93	



Conforme alle direttive  
CEE sul livello acustico  
2000/14/CE

Conforme con las directivas  
CEE sobre el nivel acustico

In compliance with the EEC  
instructions on noise level

Gemäss EWG-Richtlinien für  
den Schall-Leistungspegel

Conforme aux directives CEE  
sur le niveau acoustique

## CURVE DI CARICO

## CURVAS DE CARGAS — LOAD DIAGRAMS LASTKURVEN — COURBES DE CHARGES

V30

	m	3.4	5	8	10.1	11	12	12.6	14	15	17.5	18	20	21.8	22	24	26	28	30
	kg	4000				3590	3203	3000	2626	2405	2000	1910	1673	1500	1484	1330	1201	1093	1000

	m	3.4	5	8	10	12	14	16	17.1	18	19	20	21	21.5	22	24	26	28	29.6
	kg	2000								1882	1759	1649	1550	1500	1462	1310	1183	1076	1000

	m	3.4	5	10	15	20	25	29
	kg	1000						

	m	3.4	5	10	15	20	25	28.2
	kg	1000						

(0 - 4000 kg)

## POTENZA RICHIESTA

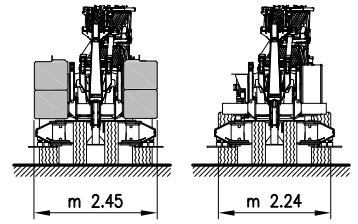
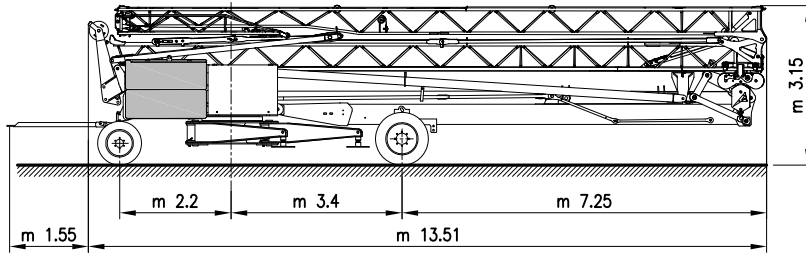
## POTENCIA-ELECTRICA NECESARIA — NECESSARY ELECTRIC POWER KRAFTBEDARF — PUISSANCE ELECTRIQUE NECESSAIRE

	<b>SOLLEVAMENTO</b> ELEVACION — HOISTING — HEBEN — LEVAGE	kg 4000
	<b>14 kw</b> 400 V - 50 Hz	

GA 301

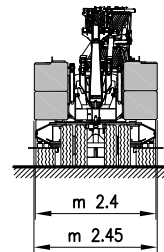
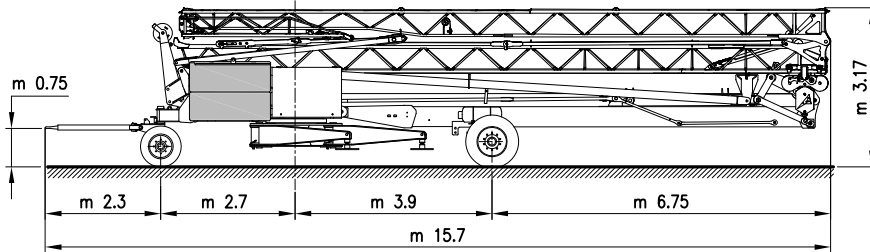
**TRASPORTO** TRANSPORTE — TRANSPORT  
TRANSPORT — TRANSPORT

**5**  
km/h

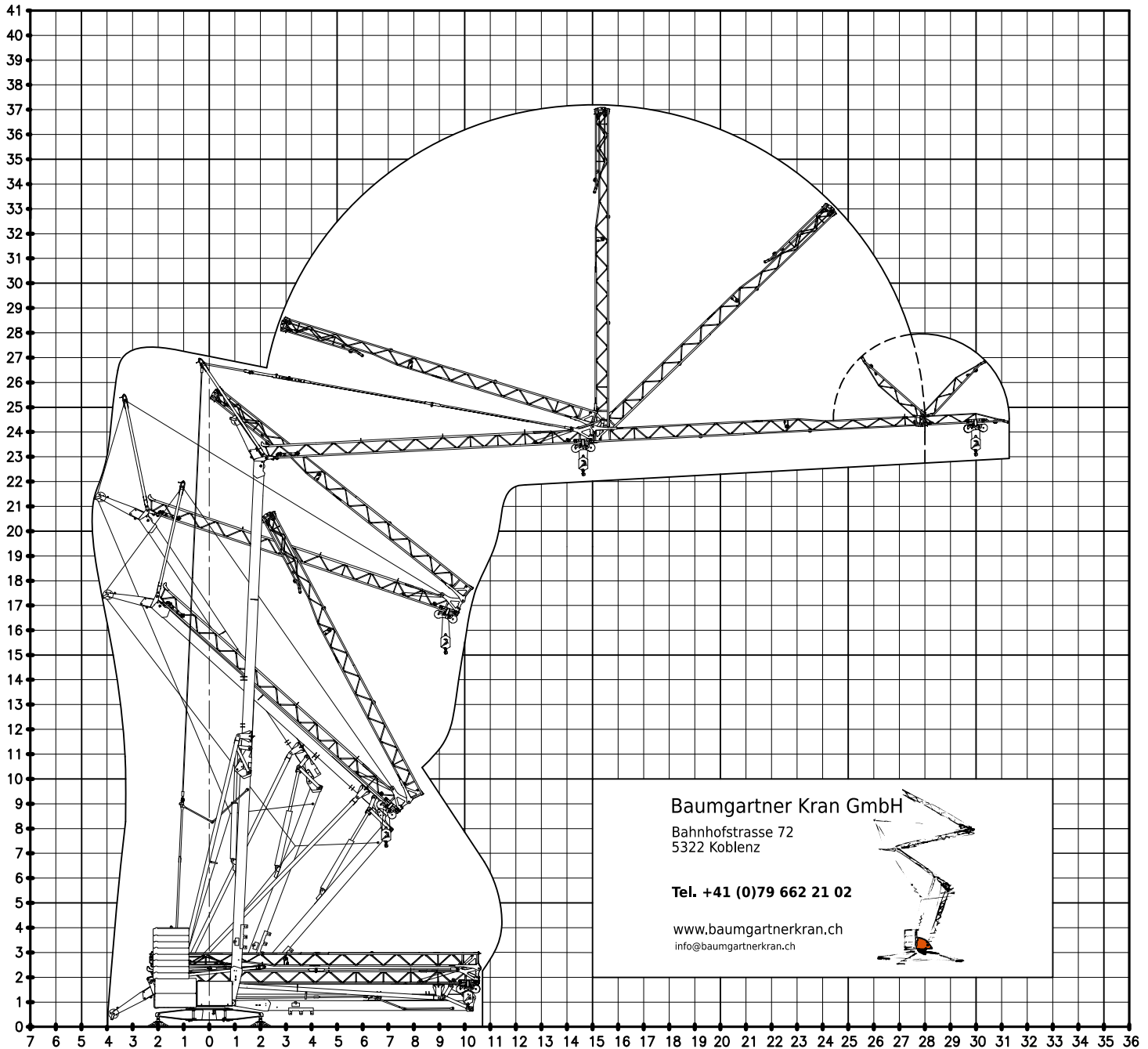


FB25K1

**25**  
km/h



**MONTAGGIO** MONTAJE — ERECTION  
MONTAGE — MONTAGE



**Baumgartner Kran GmbH**

Bahnhofstrasse 72  
5322 Koblenz

Tel. +41 (0)79 662 21 02

www.baumgartnerkran.ch  
info@baumgartnerkran.ch

